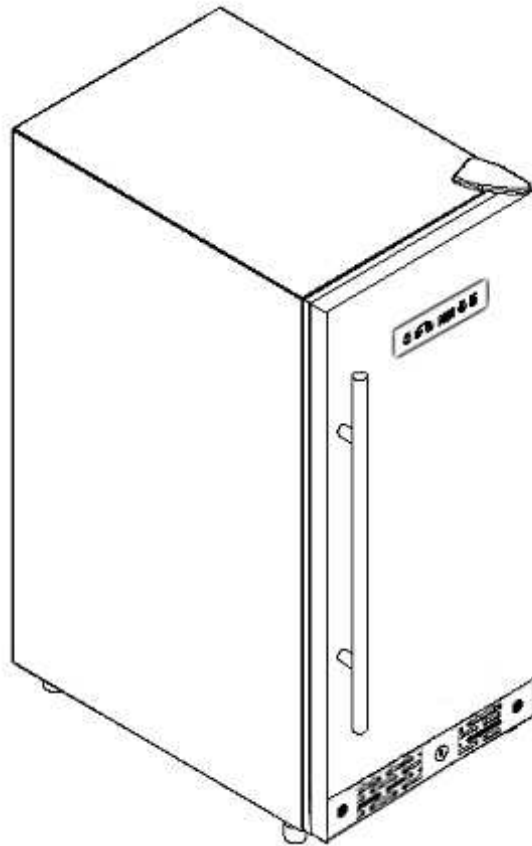




INSTRUCTION MANUAL



UNDERCOUNTER BEER FROSTER (3.1 cu. ft. capacity)

MODEL: BC-313U

To ensure proper use of this appliance and your safety, please read the following instructions completely before operating this appliance.

TABLE OF CONTENTS

IMPORTANT SAFETY INSTRUCTIONS	2
APPLIANCE SAFETY	2
IMPORTANT SAFEGUIDES	3
COMPONENTS AND PARTS	4
SPECIFICATIONS	4
ELECTRICAL CONNECTION	5
INSTALLATION INSTRUCTIONS	6
- Before using your appliance	
- Free-standing installation	
- Built-in installation	
APPLIANCE FEATURES	7
OPERATING YOUR APPLIANCE	7-8
CARE AND MAINTENANCE	9
TROUBLESHOOTING GUIDE	10
WARRANTY	11

IMPORTANT SAFETY INSTRUCTIONS

⚡WARNING⚡

To reduce the risk of fire, electrical shock, or injury when using your appliance, follow these basic precautions:

- This appliance is not intended for use by persons (including children) with reduced physical, sensory or mental capabilities, or lack of experience and knowledge, unless they have been given supervision or instruction concerning use of the appliance by a person responsible for their safety.
- Children should be supervised to ensure that they do not play with the appliance.
- Read all instructions before using the appliance.
- **DANGER or WARNING:** Risk of child entrapment.
- To avoid the possibility of child entrapment, please take the following precautions before disposing the appliance:
 - Remove all doors from the unit.
 - Leave the shelves in place so that children may not easily climb inside.
- Never allow children to operate, play with, or crawl inside the appliance.
- **Refrigerants:** All refrigeration products contain refrigerants, which under the guidelines of federal law must be removed before disposal of product. It is the consumer's responsibility to comply with federal and local regulations when disposing of this product.
- Never clean appliance parts with flammable fluids. The fumes can create a fire hazard or explosion.
- Do not store or use gasoline or any other flammable vapors and liquids in the vicinity of this or any other appliance. The fumes can create a fire hazard or an explosion.

-Save these instructions-

APPLIANCE SAFETY

Your safety and the safety of others are very important.

We have provided many important safety messages in this manual and on your appliance. Always read and obey all safety messages.



This is the Safety Alert Symbol. This symbol alerts you to potential hazards that can kill or injure you and others. All safety messages will follow the Safety Alert Symbol and either the words "DANGER", "WARNING" or "CAUTION".



Danger means that failure to heed this safety statement may result in severe personal injury or death.



Warning means that failure to heed this safety statement may result in extensive product damage, serious personal injury, or death.



Caution means that failure to heed this safety statement may result in minor or moderate personal injury, or property or equipment damage.

All safety messages will alert you on the potential hazard, how to avoid injury, and possible results should you fail to follow instructions.

IMPORTANT SAFEGUIDES



Before using this appliance, unit must be properly positioned and installed as described in this manual. Please read this manual carefully prior to use. To reduce the risk of fire, electrical shock or injury when using the appliance, follow basic precautions, including the following:

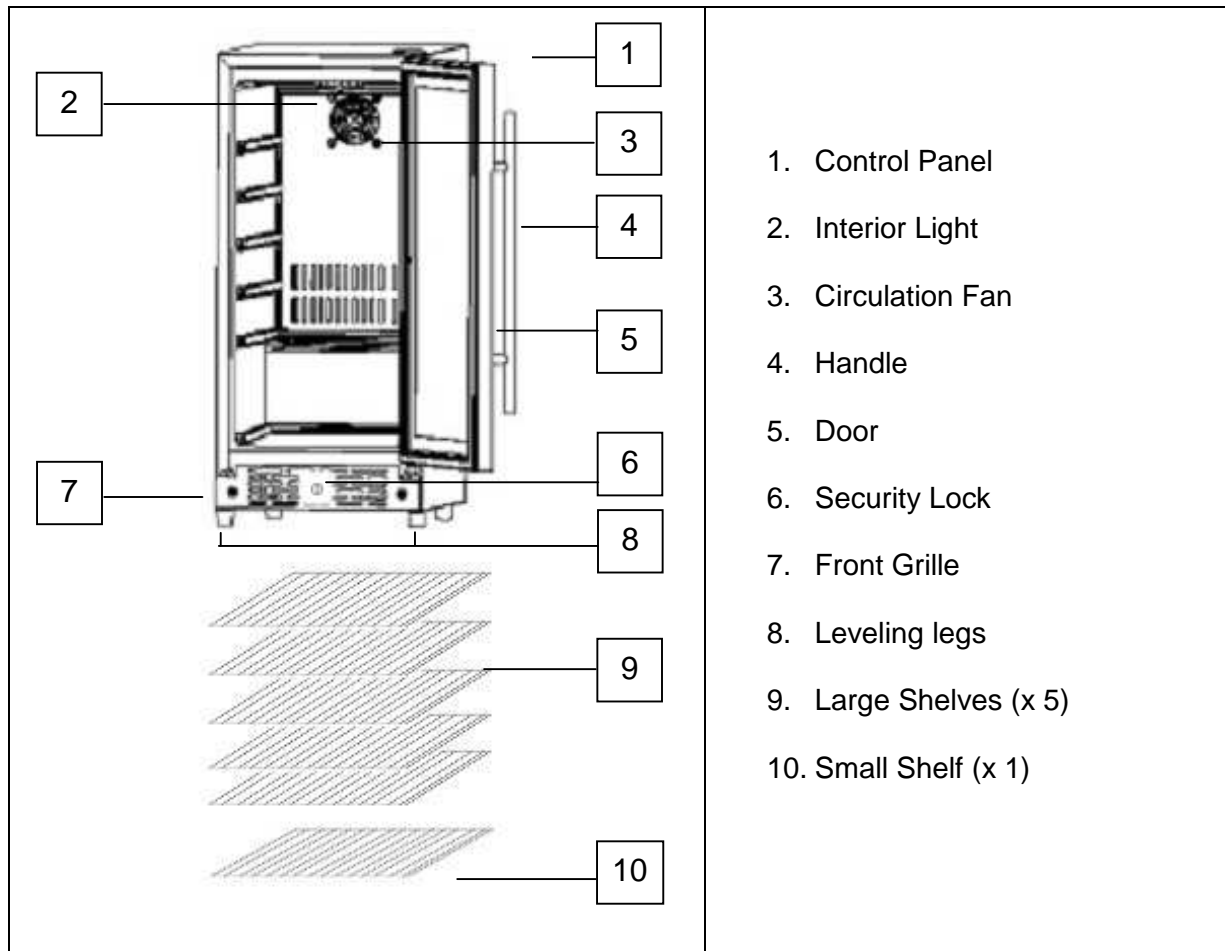
DANGER

- Appliance must be grounded. The unit is supplied with a 3-prong plug and must be plugged into a matching 3-prong outlet. **DO NOT** remove the grounding prong, do not use an adapter, and do not use an extension cord.
- Replace all panels before operating.
- It is recommended that unit be plugged to a dedicated outlet. Use receptacles that cannot be turned off by a switch or pull chain.
- Never clean appliance or its parts with flammable fluids. These fumes can create a fire hazard or explosion. Never store or use gasoline or other flammable vapors and liquids in the vicinity of this or any other appliance. The fumes can create a fire hazard or explosion.
- Before proceeding with cleaning and maintenance operations, make sure the power is disconnected.
- Do not connect or disconnect the electric plug when your hands are wet.
- Unplug the appliance or disconnect power before cleaning or servicing. Failure to do so can result in electrical shock or death.
- Do not attempt to repair or replace any part of your appliance unless it is specifically recommended in this material. All other servicing should be referred to a qualified technician.

WARNING

- Use two or more people to move and install appliance. Failure to do so can result in back or other injury.
- To ensure proper ventilation for your appliance, the front of the unit must be completely unobstructed. Choose a well-ventilated area with temperatures above 60°F (16°C) and below 90°F (32°C). This unit must be installed in an area protected from the elements, such as wind, rain, water spray or drips.
- Do not place the appliance next to ovens, grills or other sources of high heat.
- The appliance must be installed with all electrical connections in accordance with state and local codes. A standard electrical supply (115 V AC only, 60 Hz), properly grounded in accordance with the National Electrical Code and local codes and ordinances is required.
- Do not kink or pinch the power supply cord.
- The fuse (or circuit breaker) size should be 15 amperes.
- It is important for the appliance to be leveled in order to work properly. You may need to make several adjustments to level it.
- Never allow children to operate, play with or crawl inside the appliance.
- Do not use solvent-based cleaning agents or abrasives on the interior. These cleaners may damage or discolor the interior.
- Do not use this appliance for other than its intended purpose.

COMPONENTS AND PARTS



SPECIFICATIONS

Model	BF-313U		
Unit Dimensions (Inches / mm)	Width	Depth	Height
	15" / 380mm	24.5" / 624mm	33.7" / 856mm
Net Weight	67 lbs / 31kg		

ELECTRICAL CONNECTION

⚡WARNING⚡

Improper use of the grounded plug can result in the risk of electrical shock. If the power cord is damaged, contact Sunpentown at 800.330.0388.

This appliance should be properly grounded for your safety. The power cord of this appliance is equipped with a three-prong plug which mates with standard three prong wall outlets to minimize the possibility of electrical shock.

Do not, under any circumstances, cut or remove the third ground prong from the power cord.

This appliance requires a standard 115/120 Volt AC ~/60Hz electrical outlet with three-prong. When a 2-prong wall outlet is encountered, it is your responsibility and obligation to have it replaced with a properly grounded 3-prong wall outlet.

Caution: Installation must be performed in accordance with the NEC/CEC by authorized personnel only.

This appliance is not designed to be used with an inverter.

The cord should be secured behind the appliance and not left exposed or dangling to prevent accidental injury.

The appliance should be plugged into its own independent electrical outlet that has a voltage rating matching that of the appliance, as indicated on the unit's rating label. This provides the best performance and also prevents overloading the circuits that could cause a fire hazard.

Never unplug the appliance by pulling the power cord. Always grip the plug firmly and pull straight out from the receptacle.

Repair or immediately replace power cords that have become frayed or otherwise damaged. Do not use a cord that shows cracks or abrasion damage. When moving the appliance, be careful not to damage the power cord.

It is strongly recommended not to use an extension cord with this appliance. If the power cord is too short, best to have a qualified electrician or service technician install an outlet near the appliance. Use of an extension cord can negatively affect the performance of the unit. However, if an extension cord must be used, it is absolutely necessary that it is an UL/cUL-listed, 3-wire appliance type extension cord with an electrical rating of 115 volts and at least 10 amps.

INSTALLATION INSTRUCTIONS

Before Using Your Appliance

- Remove the exterior and interior packing materials.
- Before connecting the appliance to the power source, let it stand upright for a minimum of 24 hours. This will reduce the possibility of a malfunction in the cooling system from improper handling during transportation.
- Clean the interior surface with lukewarm water using a soft cloth.

Free-Standing Installation

- This appliance is designed to be **installed built-in or free standing**.
- Locate the appliance away from direct sunlight and sources of heat (stove, heater, radiator, etc.). Direct sunlight may affect the acrylic coating and heat sources may increase electrical consumption. Ambient temperature below 68°F (20°C) or above 90°F (32°C) will hinder the performance of this appliance. **This unit is not designed for use in a garage or any other outside installation.**
- Avoid locating the appliance in moist areas.
- Plug the appliance into dedicated, properly installed-grounded wall outlet. Do not under any circumstances cut or remove the third (ground) prong from the power cord. Any questions concerning power and/or grounding should be directed toward a certified electrician or an authorized service center. **This unit is not designed to be installed in an RV or used with an inverter.**
- After plugging the appliance into a wall outlet, allow the unit to cool down for 3 ~ 4 hours before placing beer cans in the appliance.

Built-In Installation

The cutout dimension illustrated in figure (A) allows for door swing and access to the pull-out shelves when installed as a built-in appliance. If installing between frameless cabinets, a 1/2" wide filler strip or side panel may be needed on hinge side. The filler strip will act as a spacer between the appliance case and adjacent cabinet door swing. The width of the opening must include the filter panels.

Note:

The door should protrude at least 1" beyond the surrounding cabinets.

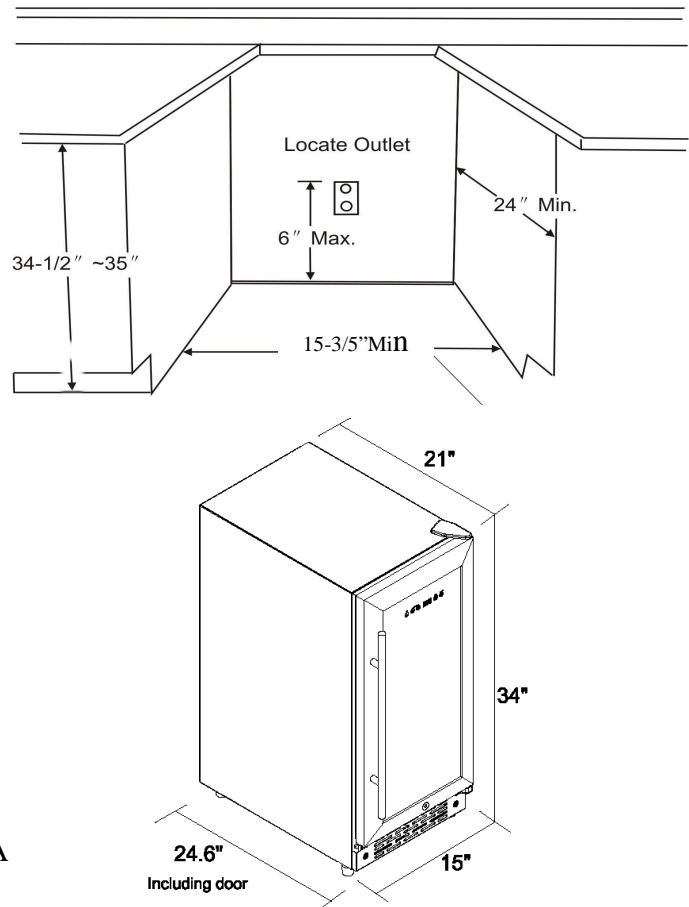


Fig. A

APPLIANCE FEATURES

Adjustable Temperature

- Temperature range: 24°F to 41°F (-5°C to 5°C)
- Customize the unit to meet your desired temperature with the digital thermostat.
- Some brands of beer may taste better at slightly warmer temperatures.

Interior Light

- The interior light can be turned on or off by pressing the LIGHT switch on the control panel.
- Long-life and high efficiency LED's are installed for durability and energy saving.

Engaged Shelves

- Any of the shelves can be removed to accommodate larger aluminum cans and bottles.

To Remove a Shelf:

- Remove all bottles or cans from the shelf.
- Gently lift the shelf upward and pull out.

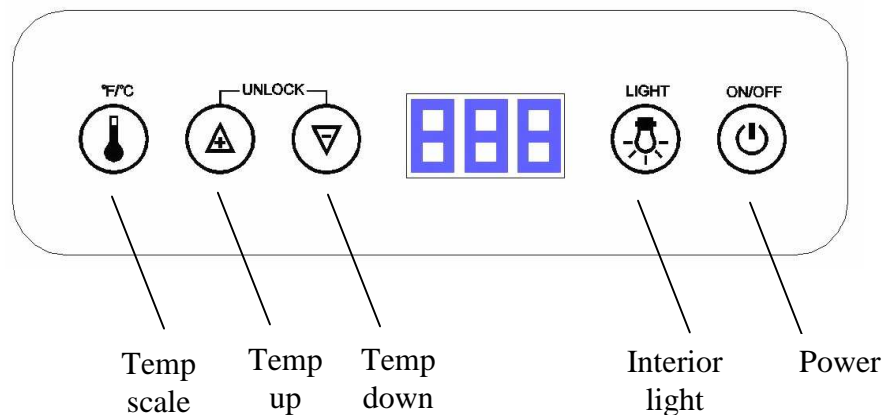
To Replace a Shelf:

- Align the shelf onto the supporting guides of the cabinet wall and push gently until the shelf tabs slide into place.

NOTE: Ensure that the tabs are firmly engaged in place before storing any bottles and cans.

OPERATING YOUR APPLIANCE

Control panel



Temperature Control and Display

1. When the unit is plugged in, display will illuminate '888' for 3 seconds with an audible beep.
2. Temperature range is between 24°F to 41°F (-5°C to 5°C). There may be a tolerance of +/-5°F (+/- 3°C) depending on the load and ambient conditions.

Memory device

The appliance is equipped with Memory IC. When the unit restarts after a power failure or after manual power-off, unit will automatically recover at last setting.

Controls

ON/OFF key (power)

- Turns the appliance on or off.
- Press and hold for 3 seconds.

LIGHT (Interior light)

- To turn the interior light on or off.
- There is no timer or auto shut-off. The light will remain illuminated if not turned off.

UP and DOWN keys

- To set the internal temperature.
- Press the arrow DOWN for colder setting and arrow UP for warmer setting.
- Each press will increase or decrease set temperature in 1 degree increments.
- When keys are not pressed, display panel will indicate the actual internal temperature. Pressing either the UP or DOWN key will change display to indicate set temperature. Once released, display will flash the set temperature for 5 seconds and return to display actual temperature.

°F/°C (temp scale)

- Changes the temperature display between Celsius and Fahrenheit.

Lock/Unlock function

- Control panel automatically locks every key after 12 seconds of sitting idle.
- To unlock, press both UP and DOWN buttons simultaneously and hold for 2 seconds.

CARE AND MAINTENANCE

Auto-Defrost

- Unit automatically defrosts any ice that builds up on the inner back wall during compressor-off cycle.
- When defrosting is in process, only the circulation fan will be running.
- Defrost water will drain into drip dish and then get evaporated by the compressor.

Cleaning Your Appliance

- Upon installation of your new appliance, it is recommended to clean it thoroughly.
- Turn power off and unplug the unit from wall outlet.
- Remove all contents.
- Wash the inside with a soft cloth soaked in lukewarm water and baking soda solution (2 tablespoons of baking soda to a quart of water).
- Be sure to keep the door gasket (seal) clean to keep the unit running efficiently.
- The outside of the appliance should be cleaned with mild detergent and warm water.
- Dry the interior and exterior with a soft cloth.
- Dust or vacuum the vent. Anything blocking the vent may hinder the unit's cooling efficiency.

Vacation Time

Short vacations

- Leave the appliance operating during vacations of less than three weeks.

Long vacations (If the appliance will not be used for several months):

- Turn power off and unplug the unit from wall outlet.
- Remove all the contents.
- Clean the appliance per instructions above.
- Leave the door open slightly to avoid possible formation of condensation, mold, or odors.

Moving Your Appliance

- Unplug the unit from wall outlet.
- Remove all bottles and cans.
- Remove shelves or securely tape down inside appliance.
- Tape the doors shut.

Energy Saving Tips

- The appliance should be located in the coolest area of the room, away from heat producing appliances or heating ducts, and out of direct sunlight.
- Ensure that door is closed when the appliance is plugged in.

TROUBLESHOOTING GUIDE

You can solve many common appliance problems easily, saving you the cost of a possible service call. Try the suggestions below to see if you can solve the problem before calling for service.

PROBLEM	POSSIBLE CAUSE
Display flashes error code "HH"	The temperature sensor is higher than 89°F / 37°C
Display flashes error code "LL"	The temperature sensor is lower than 32°F / 0°C
Display flashes error code "E0"	Connection failure, wire or component is not properly connected
Display flashes error code "E1"	The temperature sensor has failed
Display flashes error code "E2"	The defrost sensor (coil sensor) has failed
Appliance does not operate.	Not plugged in. The circuit breaker has tripped or there is a blown fuse.
Temperature inside the appliance is too warm.	Temperature is set too high, set the unit to a cooler setting and allow several hours for the temperature to stabilize. Door is kept open too long or is opened too frequently. Warm air enters the appliance every time the door is opened. Try to open the door less frequently. The door is not closed completely. The door gasket does not seal properly. Power to the appliance has recently been disconnected for a period of time. Allow 4 hours for the appliance to cool down.
Temperature inside the appliance is too cold.	Temperature is set too low, Set the unit to a warmer setting and allow several hours for the temperature to stabilize.
Vibrations.	Check that the appliance is on a level surface. The appliance is touching the wall. Re-level the appliance or move it from the wall. If vibration continues occurs, turn unit off, disconnect power and contact Sunpentown customer service.
Moisture forms on the inside cabinet walls.	Door is slightly open. Door is kept open too long, or is opened too frequently. The door is not sealed properly.
Moisture forms on outside of appliance.	Door is slightly open, cold air from inside the appliance is meeting the warm moist air from outside.
The door will not close properly.	The appliance is not on a level surface. The gasket is dirty.



Your Guarantee

If this product is found to be faulty as a result of faulty materials or workmanship within one year from date of purchase, it will be repaired free of charge.

This guarantee is subject to the following terms:

- Sunpentown must be notified of the fault.
- Proof of purchase must be presented to Sunpentown's nominated representative.
- The warranty will be void if the product is modified, misused or repaired by an unauthorized person.
- The warranty after repair will not be extended beyond the original one-year period.
- All replacement parts will be new or reconditioned.
- Parts, which are replaced, become the property of Sunpentown.
- The warranty applies for the use of the product in the USA only.

What is NOT COVERED:

- Warranty does not include freight charges.
- Incidental or consequential damage caused by possible defects with this product.
- Damage to product caused by improper power supply voltage, accident, fire, floods or acts of nature.
- Failure of product resulting from unauthorized modifications to the product.
- Improper installation or failure to perform the necessary maintenance.

This GUARANTEE is in addition to your Statutory Rights

SUNPENTOWN INTERNATIONAL INC.
14625 Clark Ave. City of Industry, CA 91745
Tel: 626-336-2299
service@sunpentown.com
www.sunpentown.com